



HIGH PERFORMANCE PVC WALL & CEILING SYSTEMS

KEY FEATURES

Exposed face width is 16"

Lengths are 8' to 24'

3/8" thickness

100% virgin resin throughout

Recyclable (Regrind cutoffs)

USDA Accepted

Resistant to yellowing from UV rays

Moisture and mold resistant

Class A fire rating

Designed to minimize moldings

Cost effective when compared to drywall

Supports attic insulation

Hassle-free and quick installation time

Elegant sheen for bright clean look

DESIGNED TO LAST, OUR HIGHLY DURABLE WALL AND CEILING SYSTEM FROM TEKKOR® IS A PERFECT FIT FOR ALMOST ANY APPLICATION.

Interlocking PVC Tongue & Groove Panels

Our new TekKor Wall & Ceiling Systems are designed to make your life easier during installation process and for the life of the build-out. These tough, attractive tongue-&-groove panels are extremely durable, provide a water-tight seal, and offer a lifetime of premium performance. Simple to install, these panels eliminate the need for most accessories, which can lower the cost of installation. The smooth, shiny surface of the installed TekKor provides easy cleaning and maintenance and the bright white finish contributes to a fresh interior appearance.

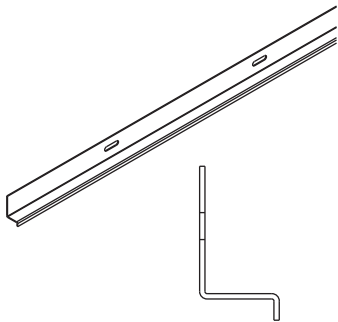
sales@tekkorpanels.com
605.884.9670

Creative Panel Solutions
18447 463rd Ave
Castwood, SD 57223 USA

WALL & CEILING MOLDINGS

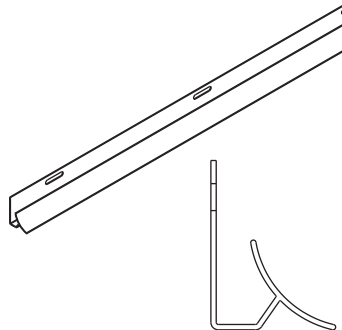
BASE TRIM

TEK10-BASE TRIM



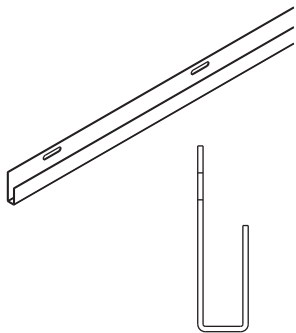
INSIDE COVE

TEK10-INSIDE COVE



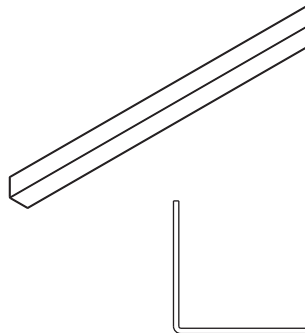
J-CHANNEL

TEK10JCH



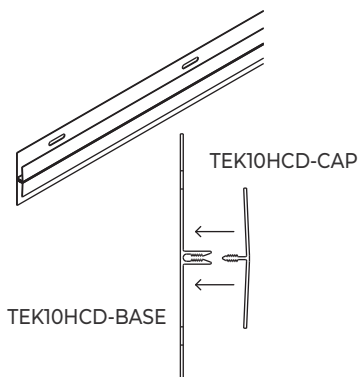
L-ANGLE

TEK10-L ANGLE



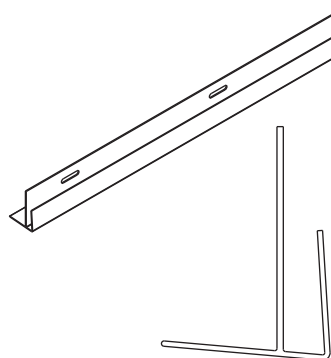
H-CHANNEL (2 PCS)

TEK10HCD-BASE & TEK10HCD-CAP



OUTSIDE CORNER

TEK10OCR



WALL & CEILING PANEL TECHNICAL SPECIFICATIONS

LENGTHS: 8-24' Standard Stock

Longer Lengths & Custom Sizes Available

THICKNESS: 3/8"

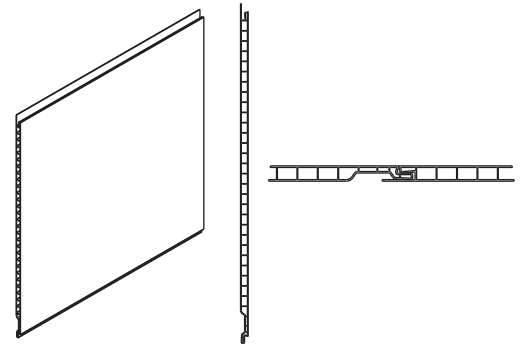
EXPOSED FACE: 16"

MATERIAL: 100% Virgin PVC

COLOR: White

16" TEKKOR PANEL

TEK16



sales@tekkorpanels.com
605.884.9670

Creative Panel Solutions
18447 463rd Ave
Castwood, SD 57223 USA